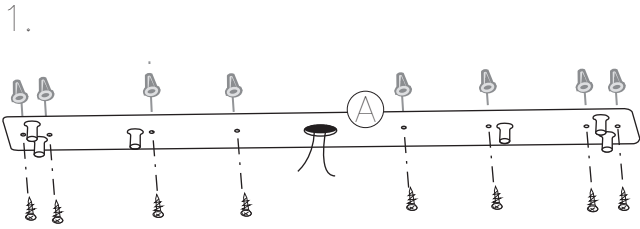


Custom

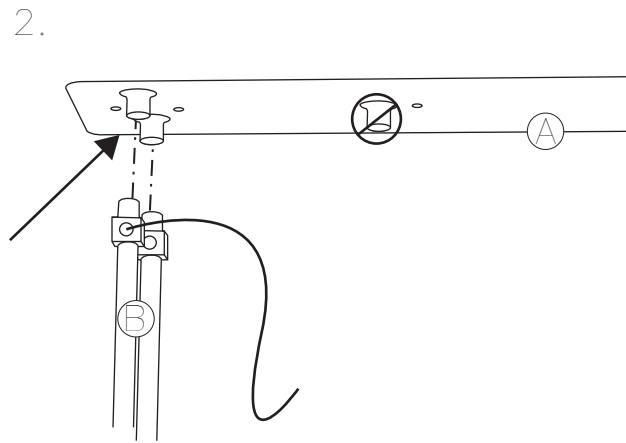
- Ⓐ x1 Bridge
- Ⓑ x2 Vertical Support Rods
- Ⓒ x1 Bridge Cover
- Ⓓ x1 Base
- Ⓔ x12 Button Head Screws
- Ⓖ x2 Small Horizontal Support Rods
- Ⓕ x1 Medium Horizontal Support Rods
- Ⓖ Glass Panneling (See instructions page 4)



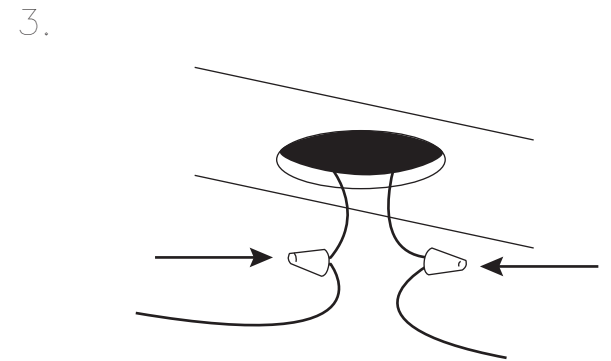
Mount (A) to the ceiling.

Note: When mounting be sure to locate and mount (A) to a joist/ceiling beam

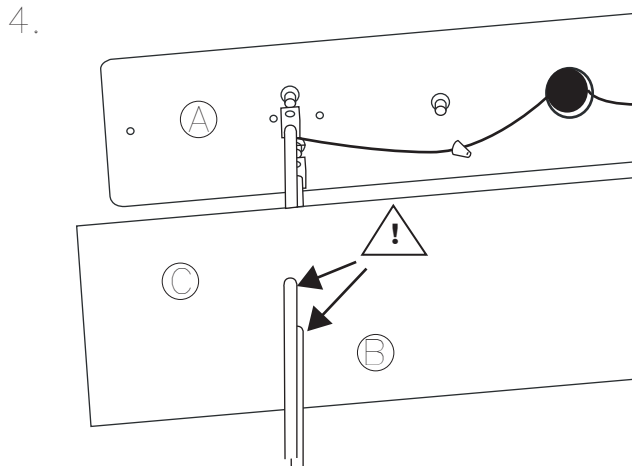
If you cannot do so, be sure to use drywall screws and anchors, drill additional holes for mounting for better support




Screw in support rods (B) into (A)
Use outermost connection points

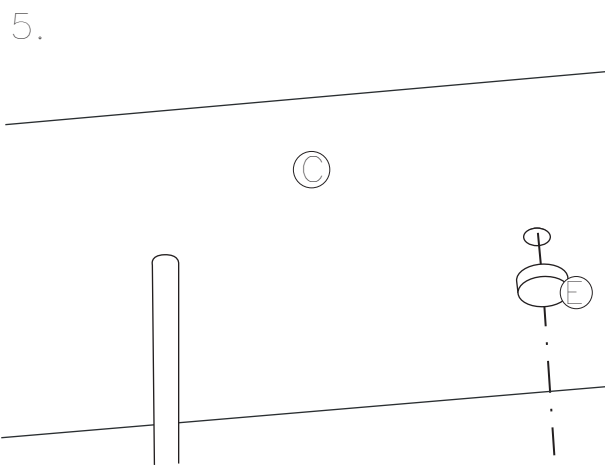


Connect electrical wire from rods to the power

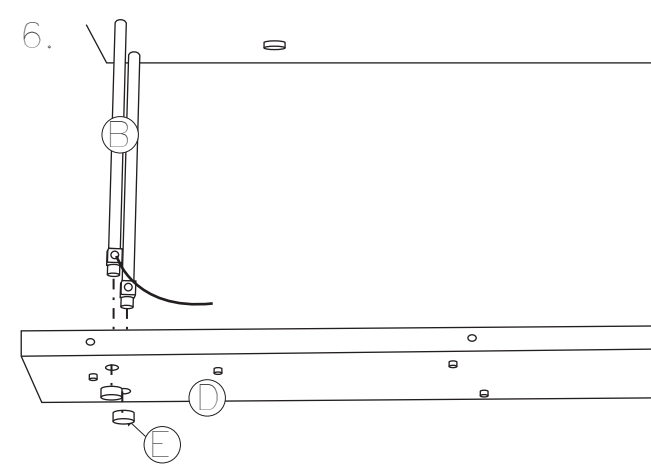


Carefully slide (C) up to (A) along support rods (B)

 *It is easy to scratch paint if not careful. Please wrap rod with paper or painters tape.*

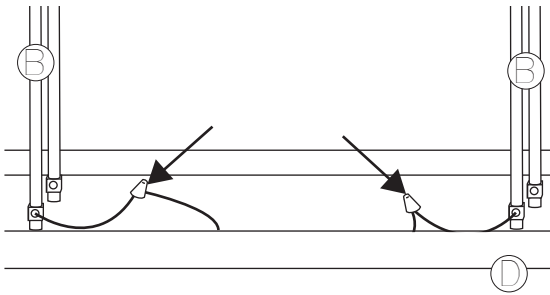


Secure (C) with button screws (E)



Attach (D) to support rods (B) using button screws (E)

7.

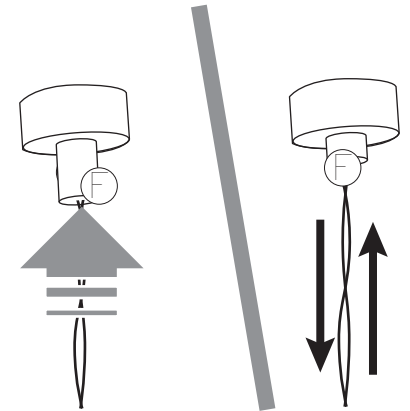


Connect electrical wire from rods (B) to the wires in (D)

8.

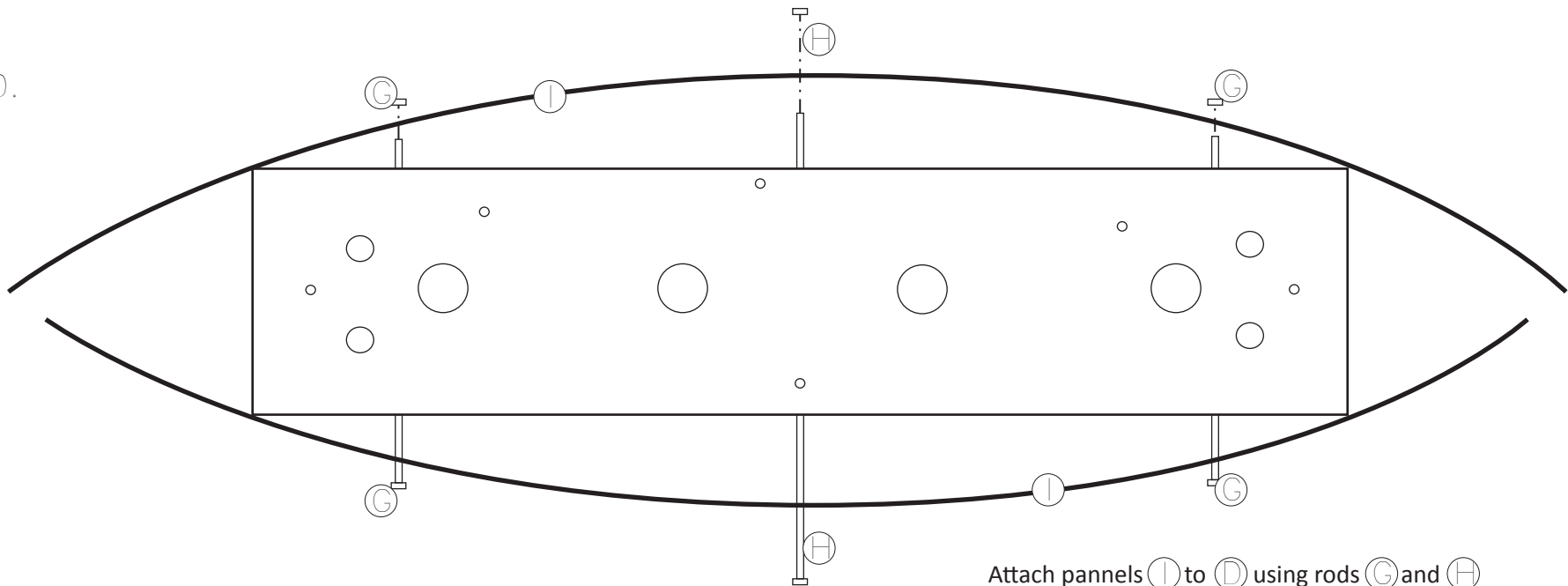
Install light bulbs
Test lights by turning on power
Turn off power after testing

9.



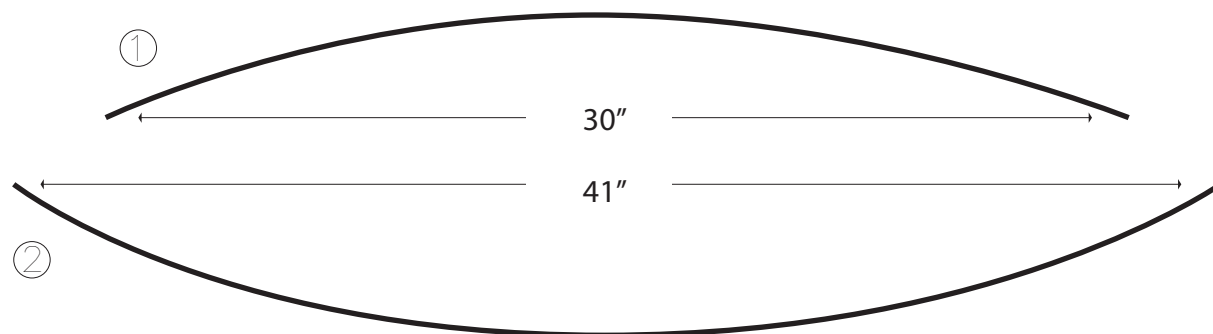
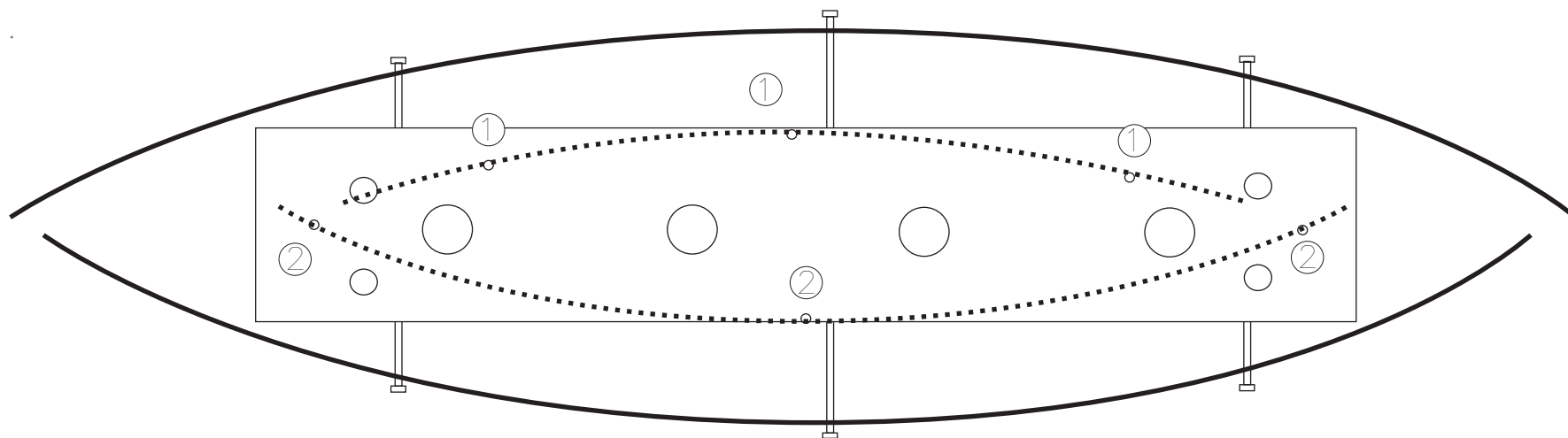
Inner pannel cable length may be adjusted up and down by pressing in wire toggle and **gently** pushing /pulling cable (F)

10.



Attach pannels (I) to (D) using rods (G) and (H) and button head screws (E)

11.



Numbered pannels match with the same number attachment points