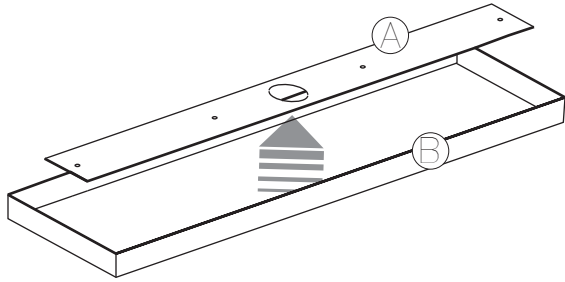


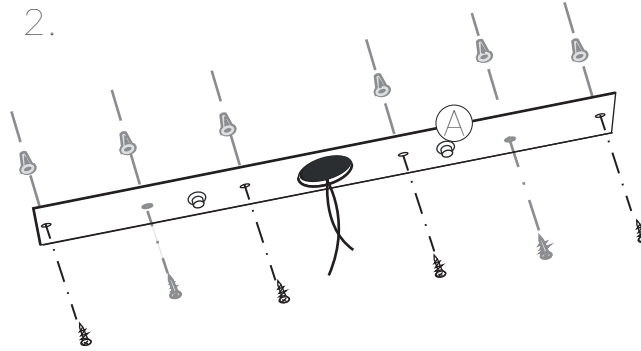
- Ⓐ x1 Bridge
- Ⓑ x1 Base
- Ⓒ x2 Support Rods (temporary mounting only)
- Ⓓ x2 Button Head Screws
- Ⓔ Glass Pendants , 3 sizes (See instructions page 3)

1.



Separate (A) from (B)

2.



Mount (A) to the ceiling.

Note: When mounting be sure to locate and mount (A) to a joist/ceiling beam

If you cannot do so, be sure to use drywall screws and anchors, drill additional holes for mounting for better support

5.

Test lights by turning on power

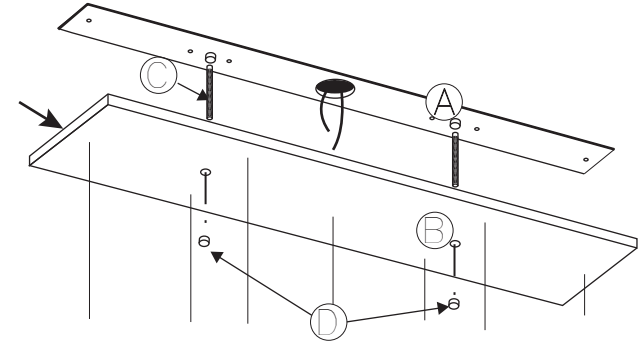


Make sure bulb is not touching the glass!

Turn off power after testing

MOONLIGHTS Assembly Guide

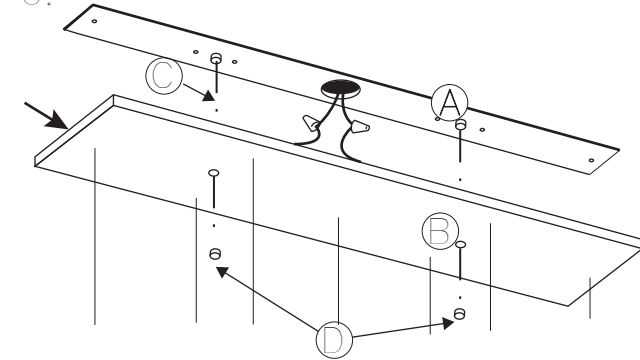
3.



Use support rods (C) provided to hang (B) off of (A)

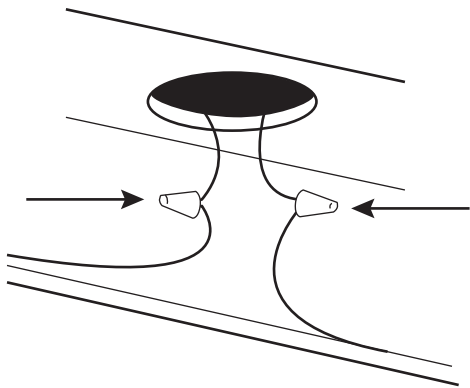
Complete attachment with button head screws (D)

6.



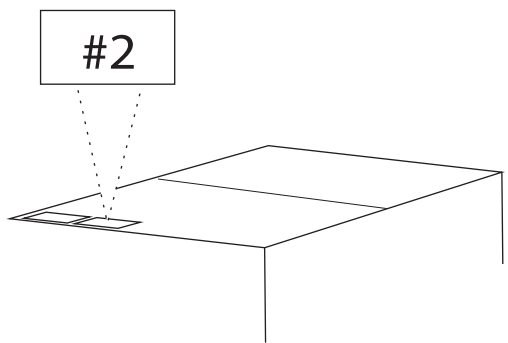
Remove rods and attach (B) to (A) with the button head screws (D)

4.

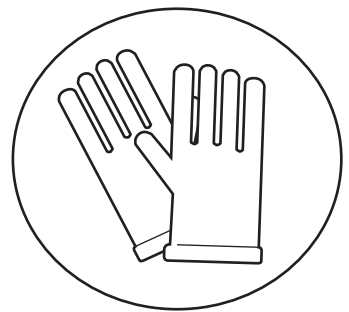
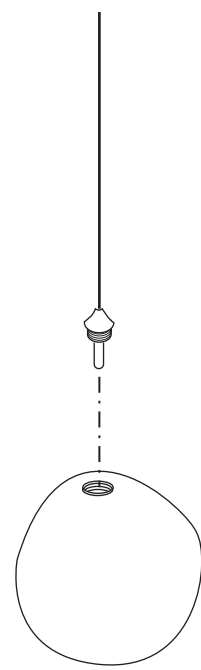
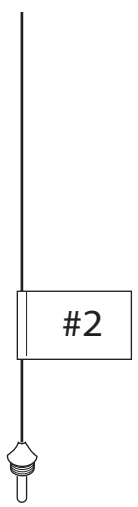


Connect electrical wire to the power

7.



Attach pednants to cables by matching thier stickers



Always use gloves when handling