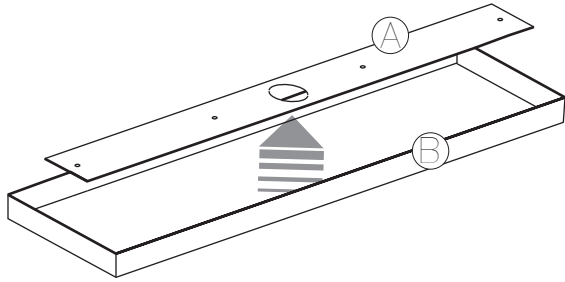


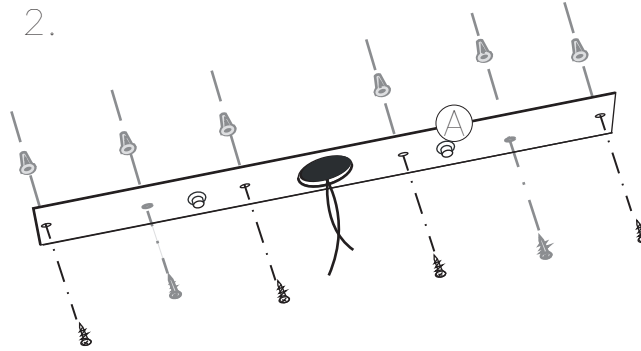
- Ⓐ x1 Bridge
- Ⓑ x1 Base
- Ⓒ x2 Support Rods (temporary mounting only)
- Ⓓ x2 Button Head Screws
- Ⓔ Pendants , 3 sizes (See instructions page 3)

1.



Separate (A) from (B)

2.



Mount (A) to the ceiling.

*Note: When mounting be sure to locate and mount (A) to a joist/ceiling beam*

If you cannot do so, be sure to use drywall screws and anchors, drill additional holes for mounting for better support

5.

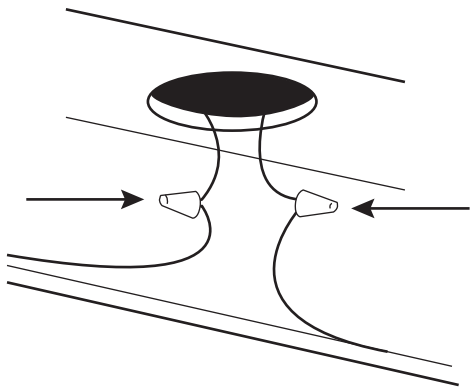
Test lights by turning on power



*Make sure bulb is not touching the glass!*

Turn off power after testing

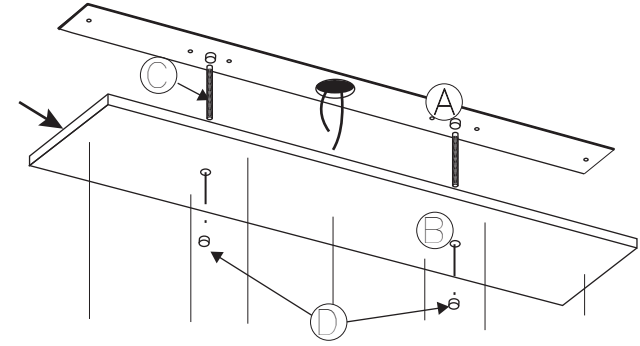
4.



Connect electrical wire to the power

## FLYING LINES Assembly Guide

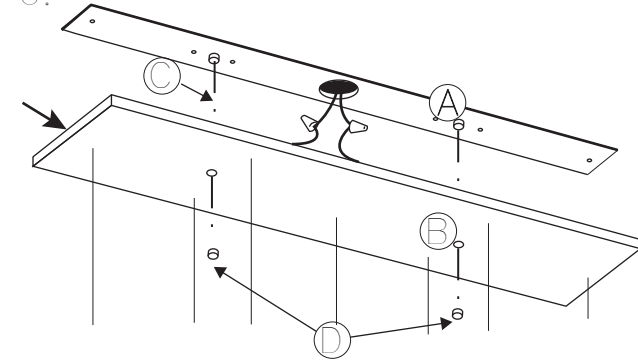
3.



Use support rods (C) provided to hang (B) off of (A)

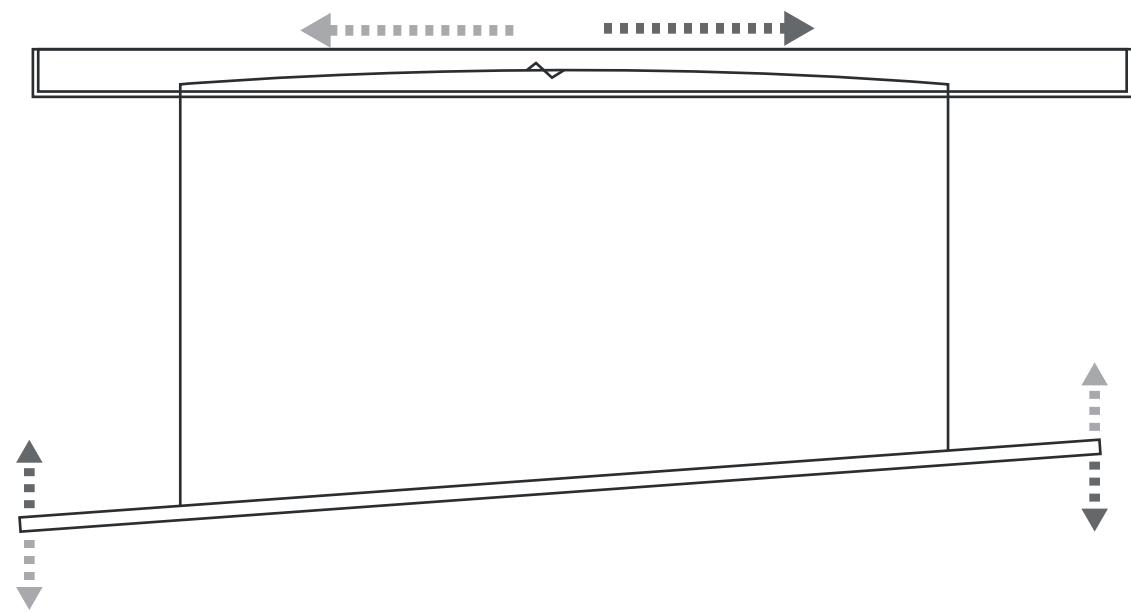
Complete attachment with button head screws (D)

6.



Remove rods and attach (B) to (A) with the button head screws (D)

7.



'Lines' can be leveled out by adjusting connecting wire left or right in the ceiling base.