

DESCRIPTION

7 white glass drops in 3 sizes levelled down from a 36" X 12" ceiling base with a total drop of 4' (adjustable).

Introduce a touch of sophisticated modernity to your space with the Skyline fixture. Each pendant begins with four white handmade glass leaves in varying heights which are suspended by thin wires that stem from a custom-made ceiling base. Great light for high ceilings (9' and up) and in various residential and commercial applications such as above an island or in a dining room, reception or foyer.

TECHNICAL SPECS

- Powder coated metal ceiling plate houses the transformers
- One electrical junction box needed
- Hand-made glass drops in 3 sizes – 3"W X 9"H, 3"W X 12"H, 3"W X 16"
- Bulbs- MR16 LED

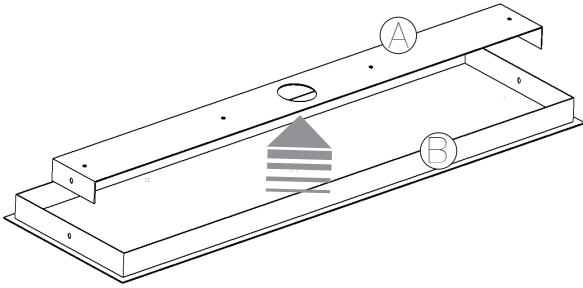
APPROVED DIMMERS

- **Leviton:** 1610, 1L21, 1J20
- **Lutron:** DVCL-153PD, DV-603PG, DV-603P, CTCL-153P, CT-600P

NOTES

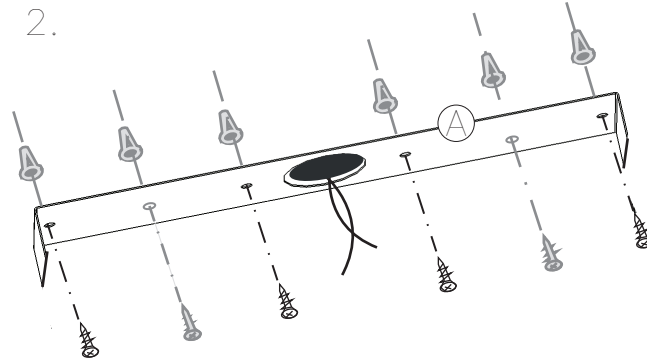
- Due to the nature of our handmade work, there may be slight variances in glass colour.
- Handmade in our glass studio, Toronto, Canada.

1.



Separate (A) from (B)

2.

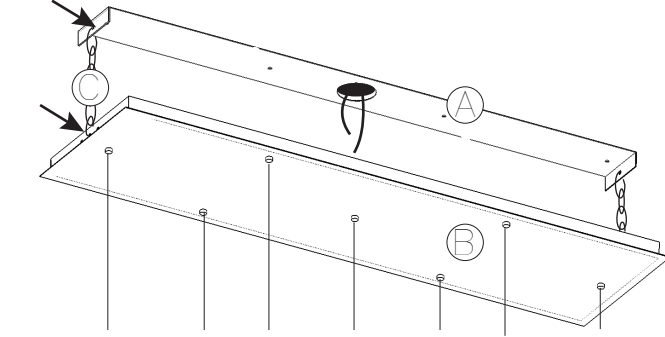


Mount (A) to the ceiling.

Note: When mounting be sure to locate and mount (A) to a joist/ceiling beam

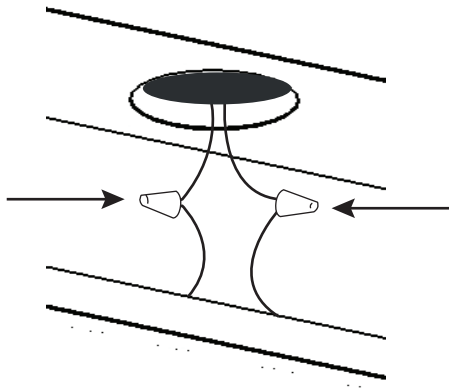
If you cannot do so, be sure to use drywall screws and anchors, drill additional holes for mounting for better support

3.



Use support chains (C) provided to hang (B) off of (A)

4.



Connect electrical wire to the power

5.

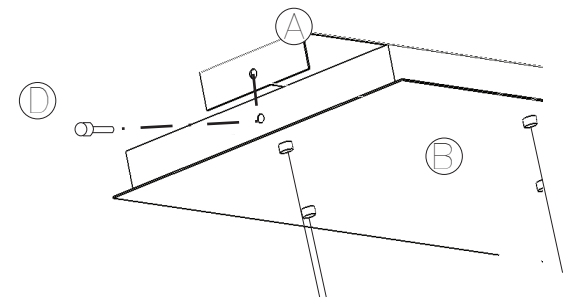
Test lights by turning on power



Make sure bulb is not touching the glass!

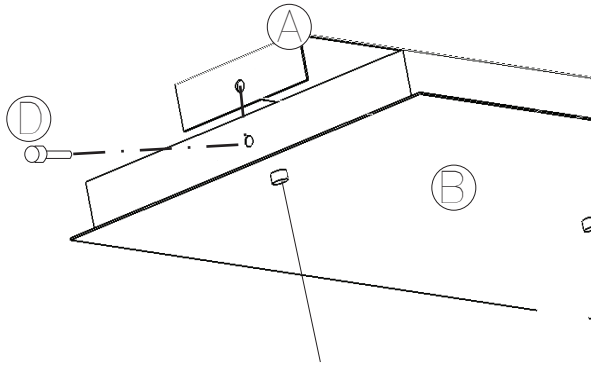
Turn off power after testing

6.



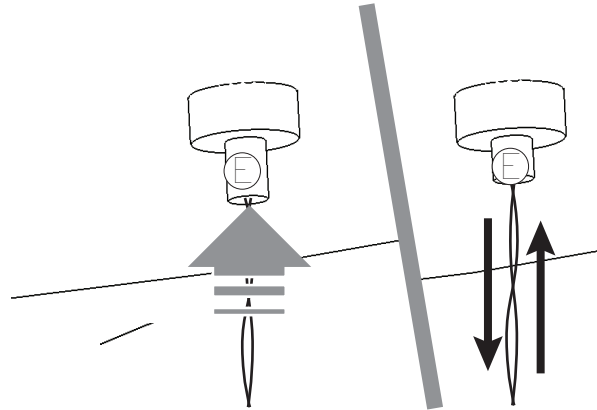
Remove chains from one side only, and attach (B) to (A) with the button head screw (D)

7.



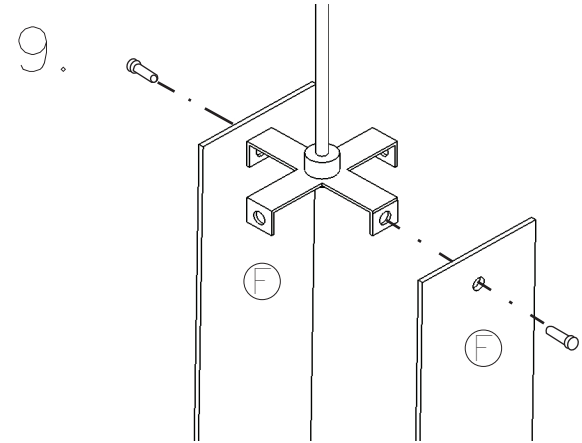
Remove remaining chains and attach (B) to (A) on other side with button head screws (D)

8.



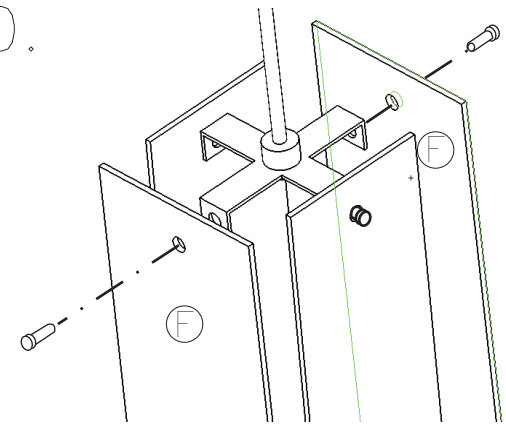
Cable length may be adjusted up and down by pressing in wire toggle (E) and **gently** pushing /pulling cable

9.



Attach the 2 narrow (2" wide) glass panels (F) first
Panel should hang freely, do not over-tighten

10.



Attach the 2 wide (3" wide) glass panels
Panel should hang freely, do not over-tighten
Make sure the glossy side is facing outwards