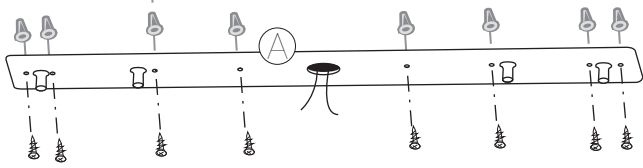


- Ⓐ x1 Bridge
- Ⓑ x2 Support Rods
- Ⓒ x1 Bridge Cover
- Ⓓ x1 Base
- Ⓔ x4 Button Head Screws
- Ⓖ Glass Paneling (See instructions page 3)

1.

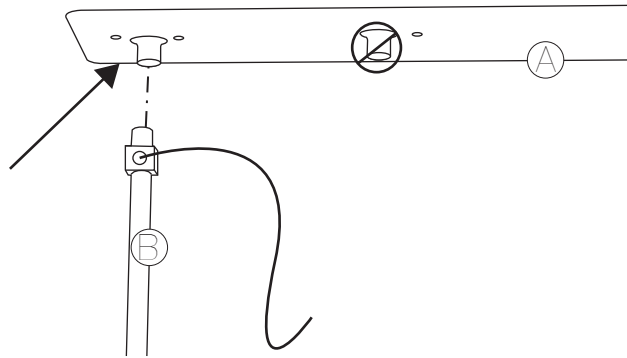


Mount (A) to the ceiling.

Note: When mounting be sure to locate and mount (A) to a joist/ceiling beam

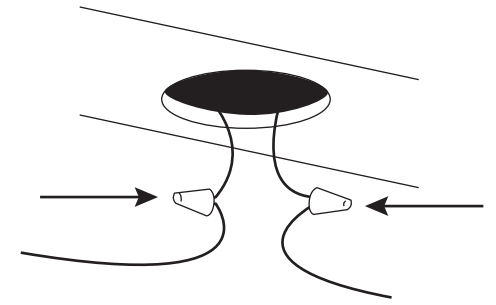
If you cannot do so, be sure to use drywall screws and anchors, drill additional holes for mounting for better support

2.



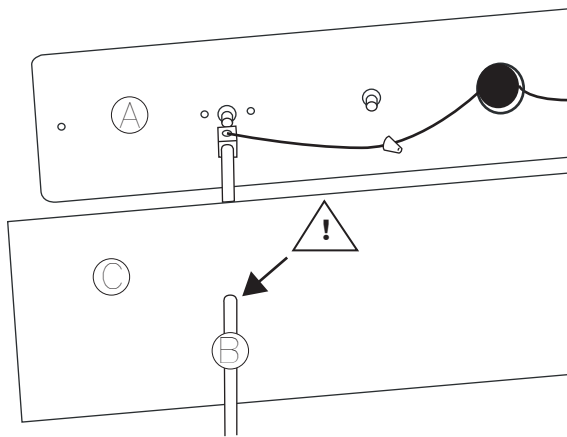
Screw in support rods (B) into (A)  
**Use outermost connection points**

3.



Connect electrical wire from rods to the power

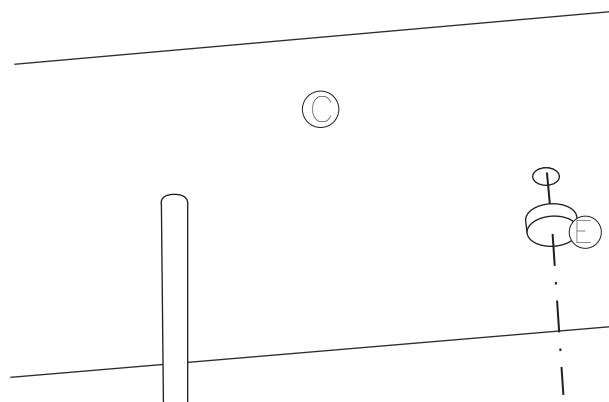
4.



Carefully slide (C) up to (A) along support rods (B)

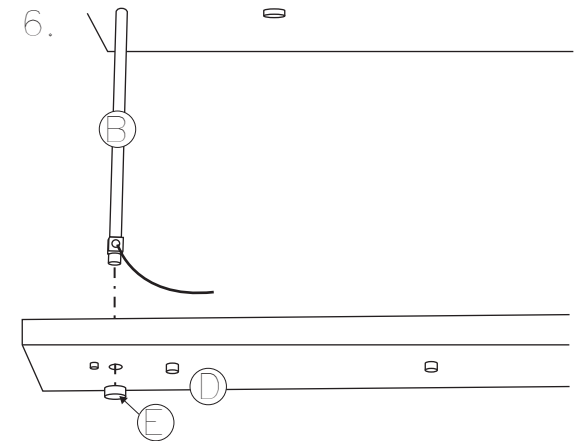
⚠ It is easy to scratch paint if not careful. Please wrap rod with paper or painters tape.

5.



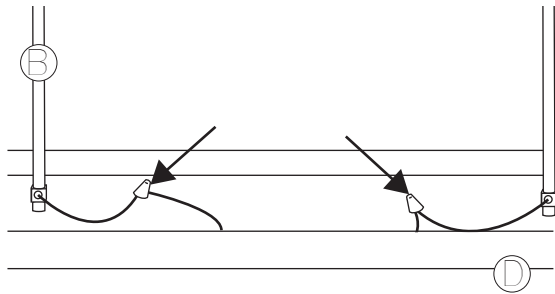
Secure (C) with button screws (E)

6.



Attach (D) to support rods (B) using button screws (E)

7.

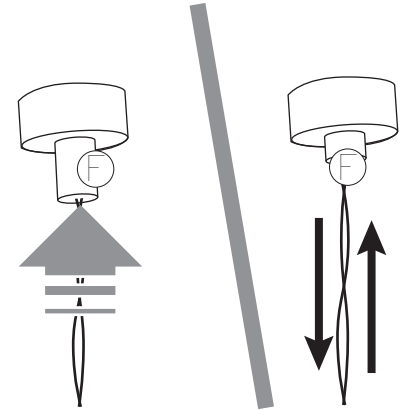


Connect electrical wire from rods **B** to the wires in **D**

8.

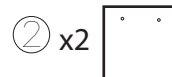
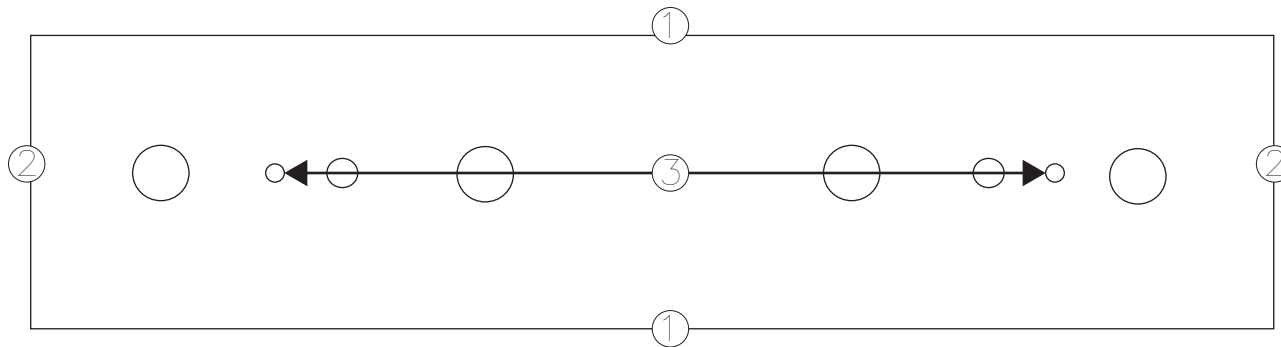
Install light bulbs  
Test lights by turning on power  
Turn off power after testing

9.



Inner panel cable length may be adjusted up and down by pressing in wire toggle and **gently** pushing /pulling cable **F**

10.



Numbered pannels match with the same number attachment points  
① and ② are to be screwed on. ③ uses drop-down cables