

DESCRIPTION

7 Long Drop pendants staggered down from a 18" X 18" ceiling base with a total drop of 7'.

A modern and sleek multi-pendant chandelier comprising four hand-made glass leaves encasing a LED bulb. Ideal for a mid and high ceiling foyer or as a hallway light

TECHNICAL SPECS

- Powder coated metal ceiling plate houses the transformers
- One electrical outlet needed
- Total drop of fixture- 7' (adjustable)
- Pendant size- 3"W X 16"H X 2"deep
- Bulbs- MR16 LED- 12V

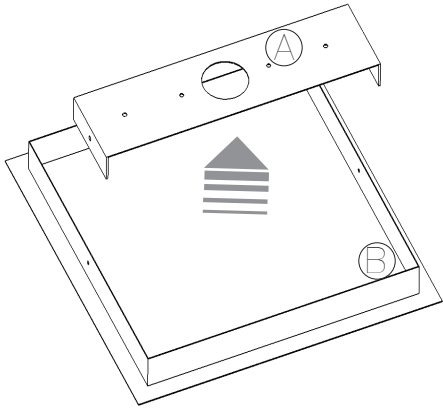
APPROVED DIMMERS

- **Leviton:** 1610, 1L2I, 1J20
- **Lutron:** DVCL-153PD, DV-603PG, DV-603P, CTCL-153P, CT-600P

NOTES

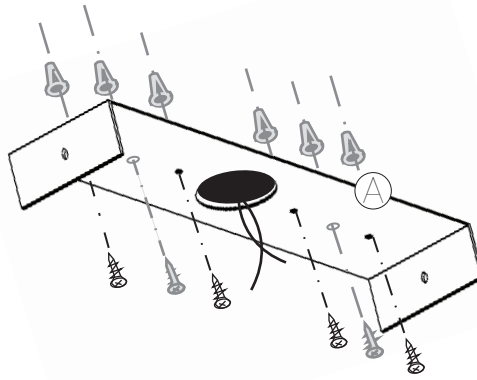
- Due to the nature of our handmade work, there may be slight variances in glass colour.
- Handmade in our glass studio, Toronto, Canada.

1.



Separate (A) from (B)

2.

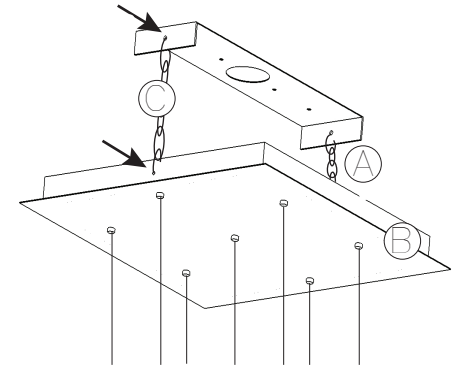


Mount (A) to the ceiling.

Note: When mounting be sure to locate and mount (A) to a joist/ceiling beam

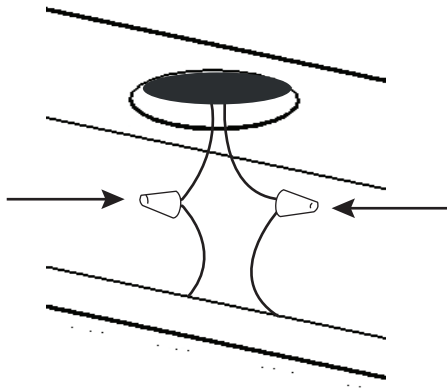
If you cannot do so, be sure to use drywall screws and anchors, drill additional holes for mounting for better support

3.



Use support chains (C) provided to hang (B) off of (A)


4.



Connect electrical wire to the power

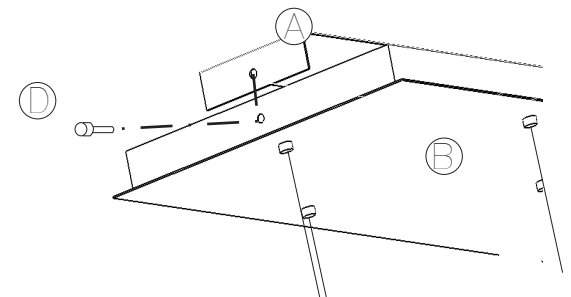
5.

Test lights by turning on power

 *Make sure bulb is not touching the glass!*

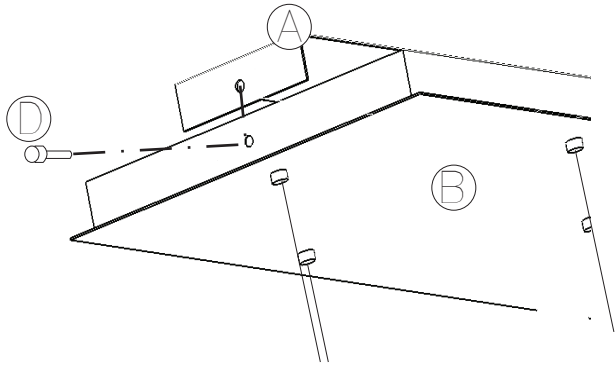
Turn off power after testing

6.



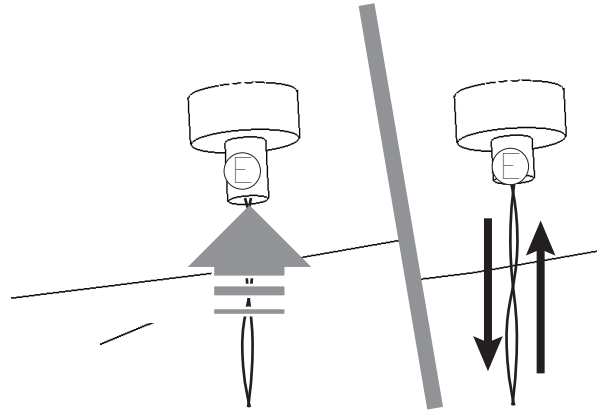
Remove chains from one side only, and attach (B) to (A) with the button head screw (D)

7.



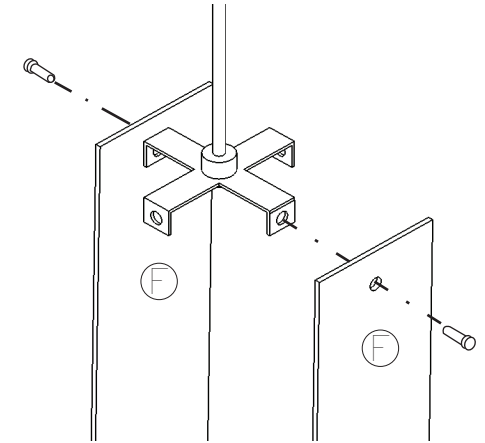
Remove remaining chains and attach (B) to (A) on other side with button head screws (D)

8.



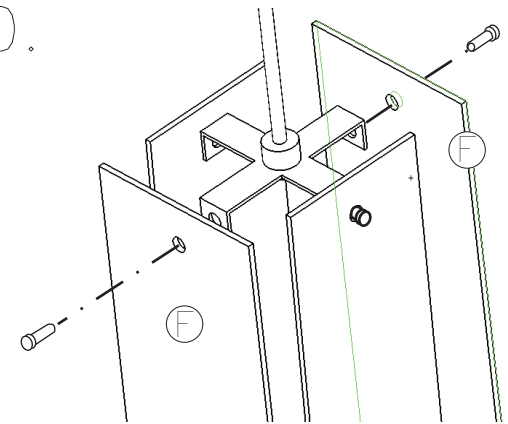
Pendant Cable length may be adjusted up and down by pressing in wire toggle (E) and **gently** pushing /pulling cable

9.



Attach the 2 narrow (2" wide) glass panels (F) first
Pannel should hang freely, do not over-tighten

10.



Attach the 2 wide (3" wide) glass panels
Pannel should hang freely, do not over-tighten
Make sure the glossy side is facing outwards