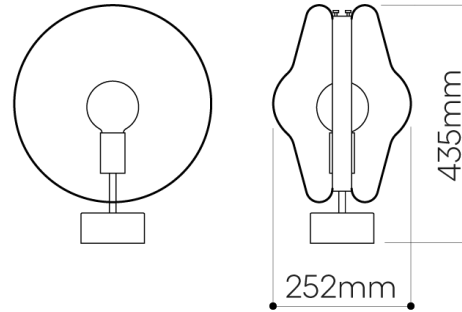


ORBITAL Table Lamp

Specification

loommo



01 Orbital Moon Clear

Product dimensions (dia): 14" x 10" mm
 product dimensions (h): 17" mm
 light source: 1x led e27, max. 13 w
 product weight: ± 10,1 kg
 package dimensions: 20" x 17" x 17" mm
 cable length: textile cable 2 m

02 Orbital Coloured

Product dimensions (dia): 14" x 10" mm
 product dimensions (h): 17" mm
 light source: 1x led e27, max. 13 w
 product weight: ± 10,1 kg
 package dimensions: 20" x 17" x 17" mm
 cable length: textile cable 2 m

ORBITAL WALL SCONCE

The Orbital Collection is made by underlying colored glass technology.

Thanks to the manual process of blowing underlay glass, each piece is an original.

Individual products may vary slightly in intensity, hue or even color.

This is an accompanying characteristic of the traditional underlay glass technology.

Available Fitting: polished brass, patina brass, nickel

Note: Glass parts of Orbitals are hand-blown thus the intensity of color and gradient may slightly vary.