

DATASHEET

Name:
Type:
Designed by:

BLIMP
Wall & Ceiling Light
Big-Game

bomma

DESCRIPTION

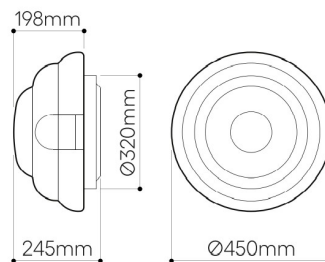
This stunning and massive crystal cloud floats in space with the lightness of a zeppelin. Blimp is the largest lighting piece our master glassmakers are capable of creating by hand. Blowing into a metal form produces a graceful giant that is a testimony to human ingenuity and top-level craftsmanship. Although this creation is a dominant element in any interior, the clear version feels both light and airy. Its honey-golden version then fills the interior with a pleasant ambient light.

TECH. DESCRIPTION

All Bomma products are hand-made from mouth-blown lead-free crystal. Therefore any small bubbles, non-melts and irregularities in the glass are both proof and a characteristic feature of this traditional craft.



CERTIFICATES



Wall & Ceiling Light

CONSTRUCTION SPECIFICATIONS

Weight: 7.2 kg
Construction material: mouth-blown lead-free crystal
Cord Length: -
Mounting: Ceiling / Wall
Environment: Indoor

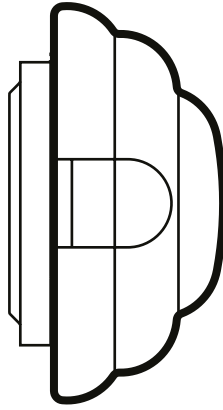
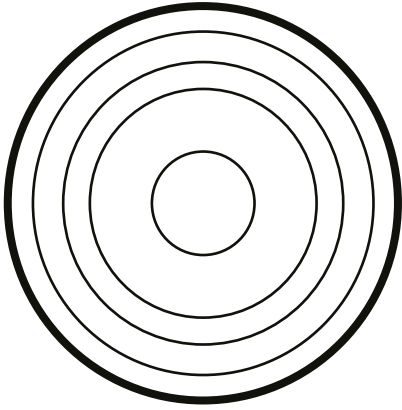
ELECTRICAL SPECIFICATIONS

Input voltage [V]: 110 - 120 V
Frequency [Hz]: 50-60 Hz
Max. power [W]: 24.5 W
Coverage IP: 20
Socket: -
Light source: LED module
Class: I

lolimpo

Design by Big-Game

USA



loomma

Installation Manual
for Wall Light Fixtures

Installation Manual don't throw away

Introduction

- Please read this usage manual carefully prior to installation and follow its instructions and recommendations.
- The installation of the wall light requires more than one person.
- For safety reasons, as well as for warranty purposes, it is forbidden to use this product in conflict with this manual and for purposes other than those stipulated in this manual.
- Prior to mounting, use an appropriate circuit breaker to turn off electricity.
- All interventions regarding the wiring of the light fixture may only be carried out by a qualified electrician.
- Prevent children or persons with lowered sensory or psychological abilities from handling the light fixture, as it contains small and fragile pieces that could be dangerous when inappropriately handled or ingested.
- The producer bears no liability for damage caused by improper installation.
- The dimensions and weight of glass parts may differ slightly, due to manual production.
- All Bomma products are made from hand-blown lead-free crystal. Any small bubbles, non-melts and inhomogeneities in the glass are not a reason for complaint. This is a characteristic feature of this traditional craft.
- The surface of the mounting may also include minor imperfections due to manual production.
- The wall light is intended for interior lighting.

Components included in the package

- Hand-blown glass part of the light fixture
- Mounting
- Allen key
- Diffuser
- Dimmable light source
- Installation manual
- Maintenance instructions
- Gloves

Technical parameters, specifications

- Voltage rate: 220–240V / A.C. 50–60Hz
- Protection: IP 20
- Input rate: 1 x LED modul 24,5W / 700mA
- Weight: ~ 15,8 lb
- Size: dia. 17,7 inch, H 9,6 inch
- Class: I.

Recommended light source: LED modul 24,5W / 700mA

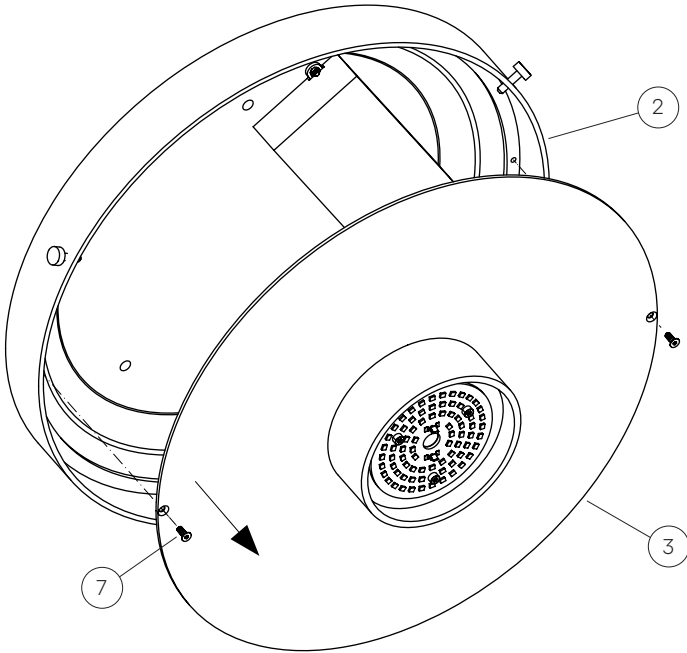
Recommended transformer: Mean well, LCM 40, 100 – 240V AC, 50 – 60 Hz, 700mA

1

Upon opening, first determine that there was no damage occurred during transport and that the light fixture is complete. Otherwise, please contact your seller immediately, as later claims may not be considered.

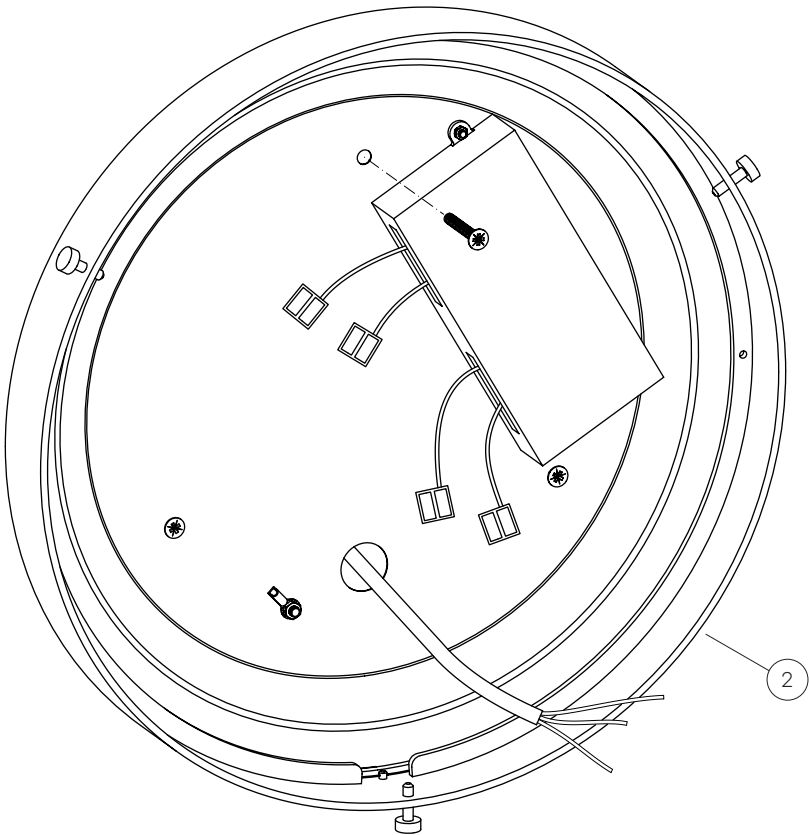
Assemble the lighting fixture according to the manual, recognizing that its installation wiring may only be carried out by a qualified electrician following general legal regulations.

Remove the screws (7) and slide the mirror (3) out of the mounting (2).



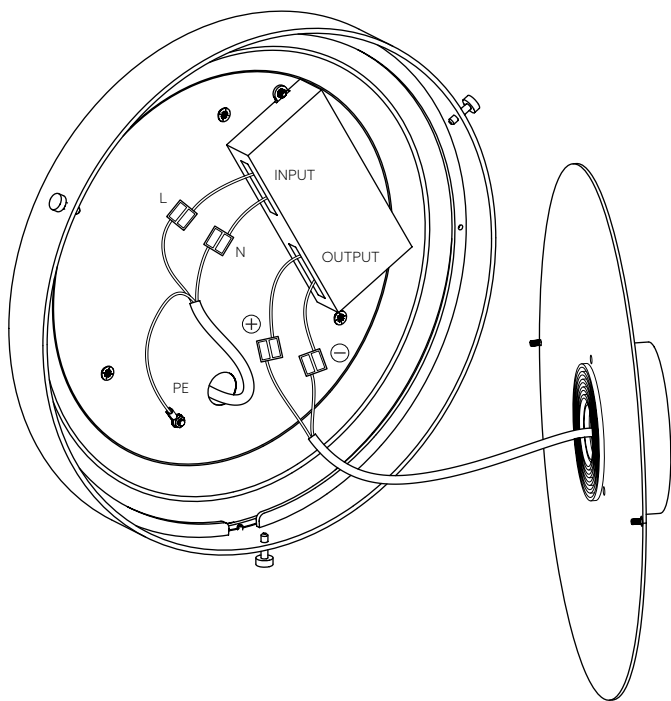
2

Slip the mounting ② on the incoming power supply cable and attach using appropriate screws and wall-plugs, which are not included in the package. Select their size and type according to the material of your wall and the weight of the fixture. Turn the mounting before screwing in so that the lead-in hole for the supply conductor is at the bottom.



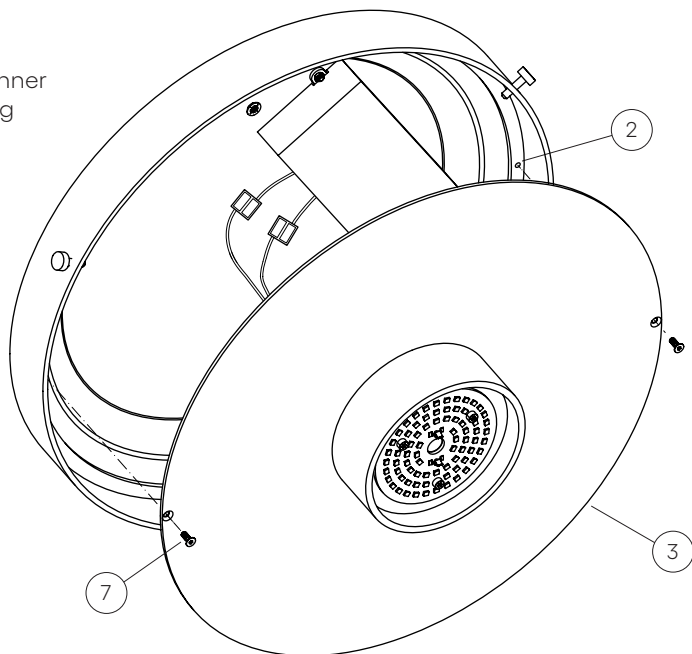
3

Install the wiring according to the diagram.



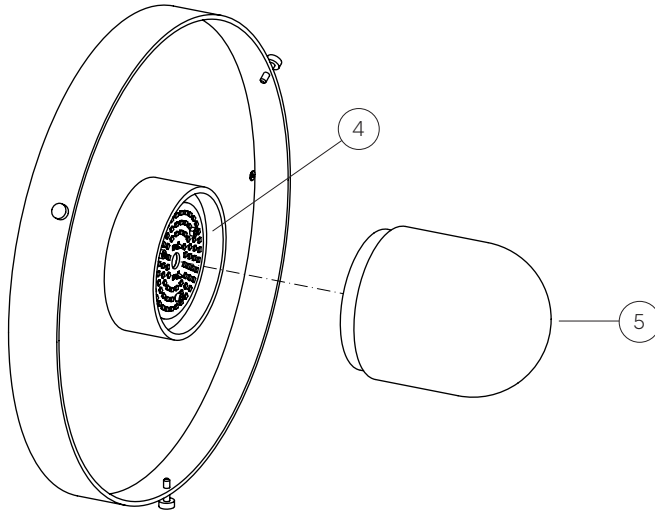
4

Attach the mirror ③ to the inner fins of the mounting ② using two screws ⑦.



5

Screw the diffuser ⑤ into the thread of the central part with the LED light source ④.

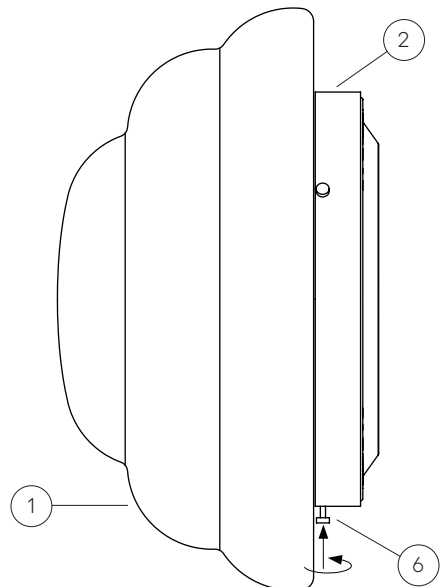


6

Attach the glass part ① by gradual tightening the three screws ⑥ on the perimeter of the hoop ②. Gently bend the glass and make sure it is firmly held in the hoop.

Congratulations! You may now reconnect the power and turn the light on.

When dismantling, first turn off the light and disconnect from the power supply. Then follow the above steps in reverse order. Use the original or similar packaging for possible later transport of the light fixture to prevent damage.



Maintenance

- When unpacking, installing and cleaning your fixture, handle the individual components with outmost care, particularly the glass parts, which are very fragile.
- Assembly and electric installation must be carried out by certified electricians.
- Wall lights are intended for interiors.
- We recommend consulting the installation and the anchoring of wall lights in ceiling materials with your project manager, technician or another competent party.
- Do not cover nor touch the light source while the light is on.
- Do not attempt any repairs or changes to the components. Always contact our specialized service.
- Spare parts that are not supplied or approved by the producer may not be used.
- The light source is tailor-made, so it is not possible to buy an adequate replacement freely. If a service change is required, please contact us at info@bomma.cz. If the light source is destroyed due to incorrect electrical installation, it is not possible to claim warranty for service replacement.
- Do not expose the light fixture to unsuitable environments where it could become damaged (water, frost, heat).
- Ensure appropriate access (ladder, scaffolding, aerial work platform) prior to maintenance or cleaning wall lights, in order to comfortably reach and safely handle the light fixture.
- **Note:** in some areas, the lighting fixture may have sharp edges that may cause injury. Beware while in immediate proximity of the fixture.
- Perform cleaning and all maintenance with the light turned off, ideally entirely disconnected. Respect this rule for the entire duration of installation.
- We recommend hanging the fixture up at sufficient height to avoid injury (e.g. head injury) to persons moving within its proximity.
- We recommend performing the installation of wall lights with more than one person.
- After installation check whether the light fixture is properly set in its base.
- Do not expose the light to inappropriate strain and protect it from mechanical damage.
- When in operation, the light source becomes hot. Prior to any handling, wait for the light source to naturally cool down and do not expose it to fast cooling.
- Do not hang any other components on the light fixture, other than those listed in the installation manual.
- Pay attention to checking all parts prior to their installation. Damaged components and glass parts (fragmentation, cracks) may cause personal injuries to persons moving within its proximity.
- Should any serious problem occur during cleaning or maintenance, do not hesitate to contact the producer.
- Any other handling of the wall light fixture should be performed by a qualified technician or directly by the producer.

Cleaning

- All cleaning and maintenance must be carried out when the power is off, ideally entirely disconnected.
- When cleaning, use fine-fabric gloves. Particularly avoid handling metal-coated crystal without gloves, to avoid fingerprints and loss of gloss.
- Use soft cloths to clean metal parts. Such parts may be cleaned with a dry cloth or a cloth dampened in warm water with a mild detergent. Avoid using solvents or technical benzene to clean metal parts. Avoid alcohol-based cleaners that may cause changes of surface colors.
- Clean fine-steel surfaces with products sold especially for this purpose.
- To clean the glass parts, use products in concentrations recommended by their producers. Immediately after cleaning, dry the light fixture and hang it again.
- When cleaning glass parts, a concentrate of 90% water and 10% vinegar may also be used. Apply this mixture with a clean spray-bottle. Put on cotton gloves, apply the solution to one of them and gently wipe the parts requiring cleaning. Immediately dry the cleaned surfaces with the other glove. Give particular care to cleaning individual parts of the light that cannot be dismantled. Inappropriate handling may cause loosening or chipping these parts.
- Avoid cleaning removable parts of the light fixture in a dishwasher.

Important Notice

- The producer bears no responsibility for damage cause by unprofessional installation or inappropriate handling of the light fixture, including installation with accessories other than those recommended by the producer.
- The producer bears no responsibility for damage caused by unprofessional interventions into the mounting and safety features of the light fixture, including damage to the product by inappropriate power supply, storage or use of the light fixture in a humid environment.
- Do not place the light fixture in humid environments, such as near a boiler or other sources of water vapor. Do not place the lighting fixtures in showers or above bathtubs and never touch them when you are in contact with water.
- The producer reserves the right to make minor changes to the construction of the light fixture without prior notice.

Disposal

Upon the completion of the technical working life of the light fixture and its disconnecting from power supply, dismantle and separate the individual parts. Hand over the separated parts to the appropriate organizations responsible for waste disposal.

Waste Materials Catalog

Number	Category	Name
10 11 11*	N	Waste glass in small particles and glass powder containing heavy metals
10 11 12	O	Waste glass other than those mentioned in 10 11 11
17 04 01	O	Copper, bronze, brass
17 04 05	O	Iron and steel
20 01 01	O	Paper and cardboard
15 01 05	O	Composite packaging

Contact

Bohemia Machine Ltd.
1177 Zámecká St.
58291 Světlá nad Sázavou
Czech Republic
+420 569 453 149
info@bomma.cz
www.bomma.cz

Instagram bomma_cz

Facebook bommacz

bomma.cz

Control

Date of packaging

step | beyond