

DATASHEET

Type: **CONVEX**
Name: Pendant light
ID: PC1274
Designed by: Boris Klimek



Download

Description

The Convex collection experiments with BROKISGLASS and makes use of its specific properties and processing methods. Designed and manufactured in the form of a convex lens, it pushes the boundaries of function, visual representation, and shaping of this unique and vibrant material. Together with a minimalist, precisely crafted body, it creates an unobtrusive yet unconventional luminaire. The utilitarian design, which highlights the beauty and optical properties of the glass, is well suited to a broad range of applications in both residential and commercial spaces. The Convex collection comprises a pendant and a wall light, each available in two sizes, whereas the wall variant can also be mounted on the ceiling. Choose from clear triplex opal, or a combination of clear triplex opal and grey triplex opal, where the darker fragments gradually transition to lighter towards the centre of the glass.



Tech. description

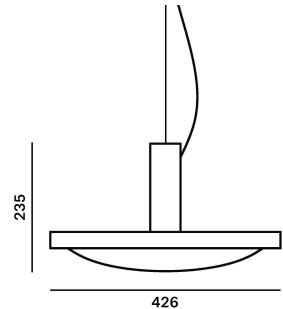
The light comprises a milled dural body with integrated LED module and balancing system, a wire rope, a power cable, and a shade made of Brokisglass, which is attached to the body of the light via bayonet system. The light is hung on a steel cable extending from a metal ceiling canopy.

Colours options: https://brokis.sharepoint.com/:b:/s/brokis_sp/ERFuauU0NmdKruXbiVGtu3wBXLRN2xewcmHASiXHOMWvHA

CONSTRUCTION SPECIFICATION

Weight: 9,5 kg
Construction material: glass, metal
Cord length [mm]: 2.200 mm
Mounting: Ceiling
Environment: Indoor

DIMENSIONS [mm]



ELECTRICAL SPECIFICATION

Input voltage [V]: 100 - 240 V
Frequency [Hz]: 50-60 Hz
Max. power [W]: 88 W
Coverage IP: 20
Socket: -
Light source: LED module
Energy class: E

CERTIFICATIONS





CM17867 LED

MODUL_D359_368LED_RA90/ 1CH_
80W_CONVEX CV 2700K DNA

Type	LED module
Lamp wattage [W]	75 W
Input voltage [V]	24 VDC
Energy class	E
Flux [lm]	9983 lm
Light colour [K]	2700 K
CRI	90
Dimmable	yes

CM17868 LED

MODUL_D359_368LED_RA90/ 2CH_
80W_CONVEX CV 2700K DNA

Type	LED module
Lamp wattage [W]	75 W
Input voltage [V]	24 VDC
Energy class	E
Flux [lm]	7430-11987 lm
Light colour [K]	1800-6500 K
CRI	90
Dimmable	yes

DATASHEET

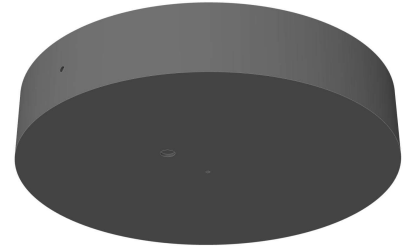
FIXING



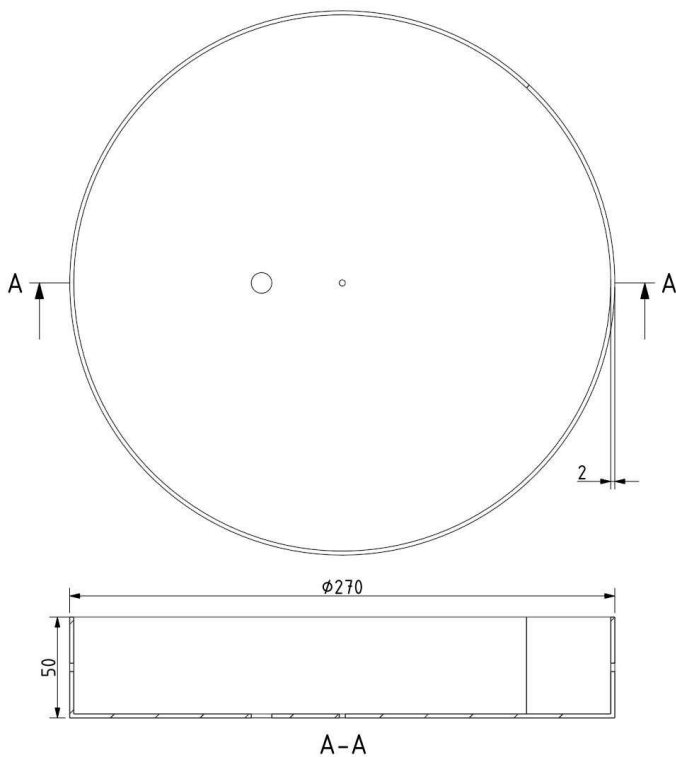
Download

INNER FIXTURE

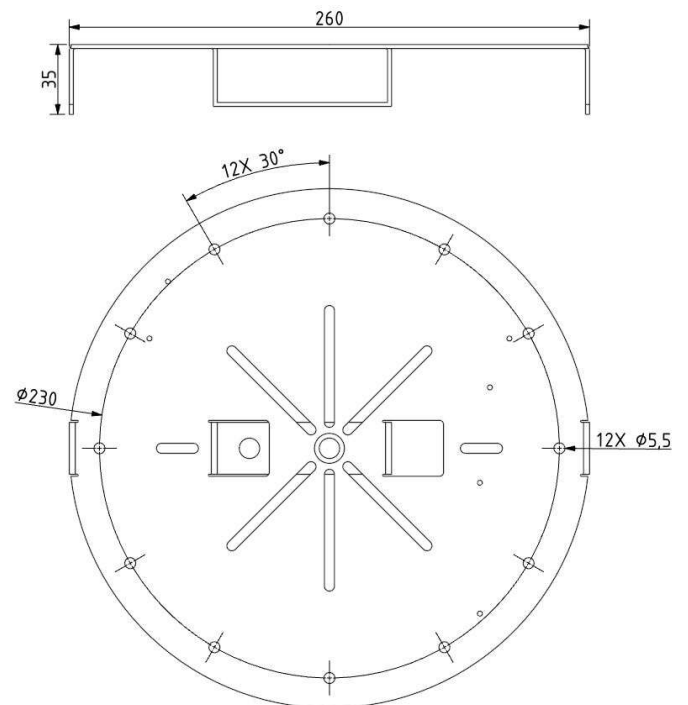
Dimensions O x w [mm] 270 x 50 mm
Weight [kg] 2.5 kg
Material metal



Drawing



Hole placement



DATASHEET

Type: **CONVEX**
Name: Pendant light
ID: PC1351
Designed by: Boris Klimek



Download

Description

The Convex collection experiments with BROKISGLASS and makes use of its specific properties and processing methods. Designed and manufactured in the form of a convex lens, it pushes the boundaries of function, visual representation, and shaping of this unique and vibrant material. Together with a minimalist, precisely crafted body, it creates an unobtrusive yet unconventional luminaire. The utilitarian design, which highlights the beauty and optical properties of the glass, is well suited to a broad range of applications in both residential and commercial spaces. The Convex collection comprises a pendant and a wall light, each available in two sizes, whereas the wall variant can also be mounted on the ceiling. Choose from clear triplex opal, or a combination of clear triplex opal and grey triplex opal, where the darker fragments gradually transition to lighter towards the centre of the glass.



Tech. description

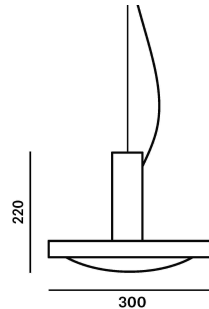
The light comprises a milled dural body with integrated LED module and balancing system, a wire rope, a power cable, and a shade made of Brokisglass, which is attached to the body of the light via bayonet system. The light is hung on a steel cable extending from a metal ceiling canopy.

Colours options: https://brokis.sharepoint.com/:b:/s/brokis_sp/EfryCD1u2k9GpEPsao79oGMB0hD3E15U5IAj9Od0iD5Qpw

CONSTRUCTION SPECIFICATION

Weight: 6 kg
Construction material: glass, metal
Cord length [mm]: 2.200 mm
Mounting: Ceiling
Environment: Indoor

DIMENSIONS [mm]



ELECTRICAL SPECIFICATION

Input voltage [V]: 100 - 240 V
Frequency [Hz]: 50-60 Hz
Max. power [W]: 47 W
Coverage IP: 20
Socket: -
Light source: LED module
Energy class: E

CERTIFICATIONS





CM17913 CONVEX small_LED modul 1CH_24V_D250mm_40W

Type	LED modul
Příkon [W]	40 W
Vstupní napětí [V]	24 VDC
Energetická třída	E
Světelný tok [lm]	4630 lm
Barevná teplota [K]	2700 K
CRI	90
Stmívatelnost	ano

CM17774 CONVEX small_LED modul TW_24V_D250mm_40W

Type	LED module
Lamp wattage [W]	40 W
Input voltage [V]	24 VDC
Energy class	E
Flux [lm]	3624-5843 lm
Light colour [K]	1800-6500 K
CRI	90
Dimmable	yes

DATASHEET

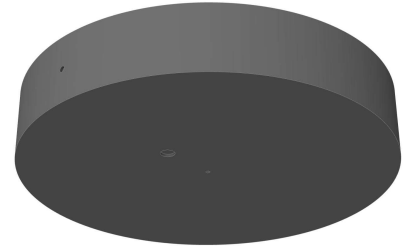
FIXING



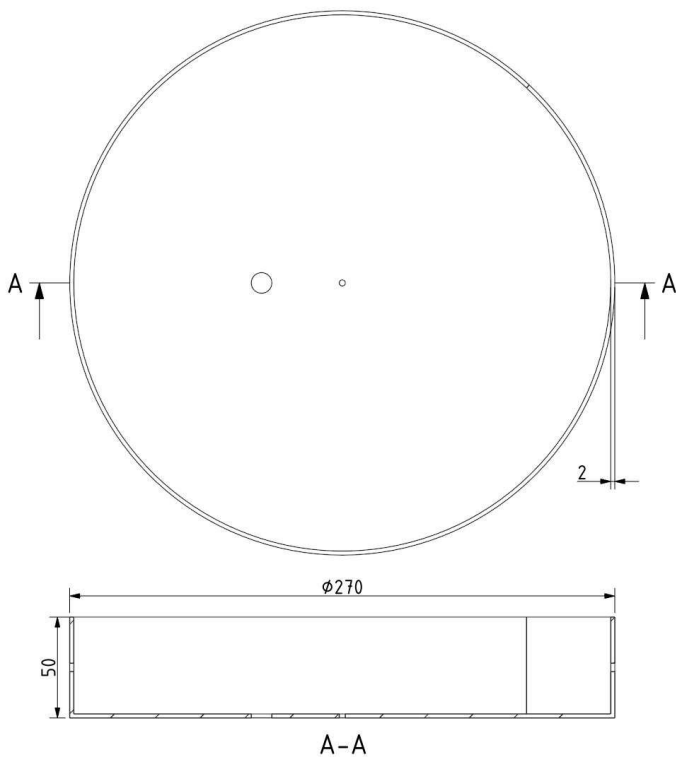
Download

INNER FIXTURE

Dimensions O x w [mm] 270 x 50 mm
Weight [kg] 2.5 kg
Material metal



Drawing



Hole placement

