

DATASHEET

Name:
Type:
Designed by:

FLAT
Ceiling Light
Ichiro Iwasaki

VIBIA

DESCRIPTION

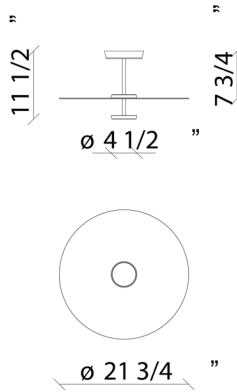
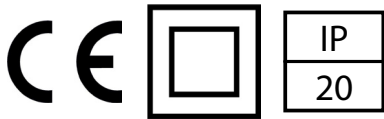
The FLAT ceiling lights, with LED sources, are made from metallic planes placed at different heights. The surfaces of these planes reflect the light, projecting an enveloping luminance that appears to come from its interior. Delicate yet strikingly graphic, a light that appears to be floating overhead.



TECH. DESCRIPTION

Installation type: Surface mounted
Light Distribution: Indirect Lighting.
Lamp that emits an upward or backward beam that is reflected by the ceiling or wall.

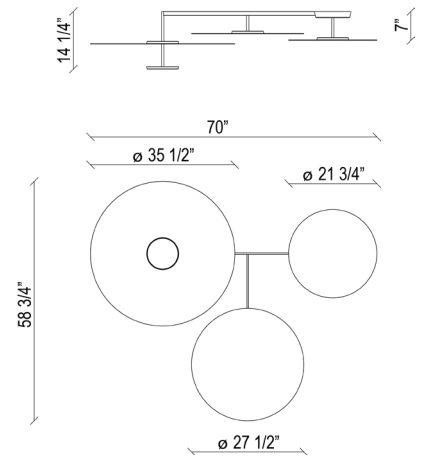
CERTIFICATES



Product ID: 5915

Flat Floor

-
Aluminum, Steel, Polycarbonate difusser
-
Ceiling Light
Indoor



Product ID: 5922

Flat Floor

-
Aluminum, Steel, Polycarbonate difusser
-
Ceiling Light
Indoor

CONSTRUCTION SPECIFICATIONS

Weight:
Construction material:
Cord Length:
Mounting:
Environment:

ELECTRICAL SPECIFICATIONS

Input voltage [V]: 100 - 240 V
Frequency [Hz]: 50-60 Hz
Max. power [W]: 21.0 W
Coverage IP: 20
Socket: -
Light source: LED Module
Energy class: A+

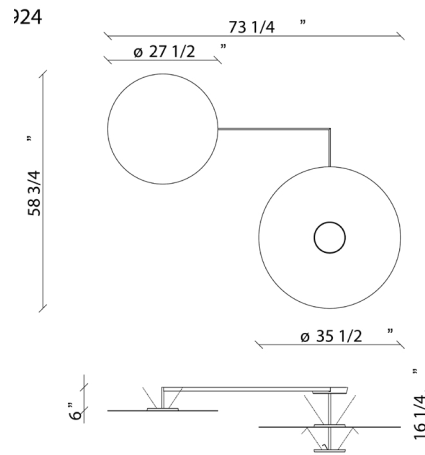
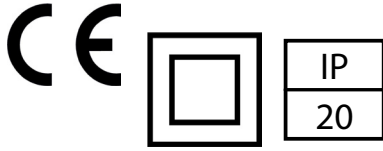
100 - 240 V
50-60 Hz
80.0W
20
-
LED Module
A+

DATASHEET

Name: **FLAT**
Type: Ceiling Light
Designed by: Ichiro Iwasaki

VIBIA

CERTIFICATES

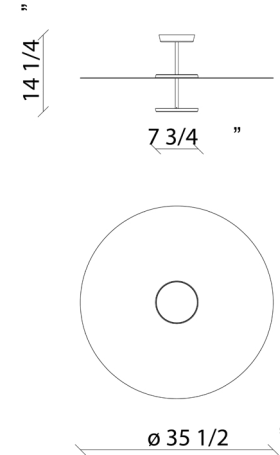


Product ID: 5924

Flat Floor

-
Aluminum, Steel, Polycarbonate difusser
-
Ceiling Light
Indoor

100 - 240 V
50-60 Hz
60 W
20
-
LED Module
A+



Product ID: 5926

Flat Floor

-
Aluminum, Steel, Polycarbonate difusser
-
Ceiling Light
Indoor

100 - 240 V
50-60 Hz
40W
20
-
LED Module
A+

DATASHEET

Name: **FLAT**
Type: Ceiling Light
Designed by: Ichiro Iwasaki

VIBIA

PRODUCT DETAILS

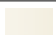


Item Coding - Model 5915

	Finish	Code
	White (NCS S 0300 - N)	10

Item Coding - Model 5922

	Finish	Code
	White (NCS S 0300 - N)	10
	White, Green L1, Off White (NCS S 0300 - N, NCS S 4005-G80Y-NCS S 1000 - N)	71

Item Coding - Model 5924

	Finish	Code
	White (NCS S 0300 - N)	10
	White, Green L1 (NCS S 0300 - N, NCS S 4005-G80Y)	72
	White, Off White (NCS S 0300-N, NCS S 1000- N)	73

Item Coding - Model 5926

	Finish	Code
	White (NCS S 0300 - N)	10

Light Source

Model	LED	Driver Included	Standard Dimming
5915	2700K CRI 90, 2900lm, 138.09 lm/W	Constant Current 700 mA 120V-277V 50/60 Hz	0-10V
5922	2700K CRI 90, 1160lm, 145 lm/W	Constant Current 700 mA 120V-277V 50/60 Hz	0-10V
5924	2700K CRI 90, 8700lm, 145 lm/W	Constant Current 700 mA 120V-277V 50/60 Hz	0-10V
5926	2700K CRI 90, 5800lm, 145 lm/W	Constant Current 700 mA 120V-277V 50/60 Hz	0-10V