

DATASHEET

Name:
Type:
Designed by:

DOUBLE
Pendant Light
LCM MARIN Design Studio



DESCRIPTION

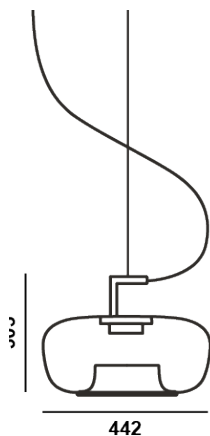
Double, a collection of pendent, table, and floor lights, is based on a shape consisting of two elements made from two different materials - glass and lightweight aluminium. These elements depend on one another to generate a unique and consonant form. The glass globe terminating in a metal ring provides a suggestive effect, with the handle on top alluding to the idea of transporting the light.

TECH. DESCRIPTION

The luminaire consists of a glass shade, metal frame with integrated LED module, metal caps, metal printout on the lower edge of the screen, supply cable and steel cable. The luminaire is suspended from the ceiling canopy by means of a supporting steel cable.



CERTIFICATES

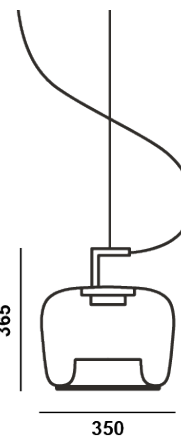


442

Product ID: PC1293

Double - short

4.8 kg
Glass, metal
2,200 mm
Ceiling
Indoor



350

Product ID: PC1294

Double - medium

6.8 kg
Glass, metal
2,200 mm
Ceiling
Indoor

CONSTRUCTION SPECIFICATIONS

Weight:
Construction material:
Cord Length:
Mounting:
Environment:

ELECTRICAL SPECIFICATIONS

Input voltage [V]:
Frequency [Hz]:
Max. power [W]:
Coverage IP:
Socket:
Light source:
Energy class:

100 - 240 V
50-60 Hz
9 W
20
LED module
-
E

100 - 240 V
50-60 Hz
9 W
20
LED module
-
E

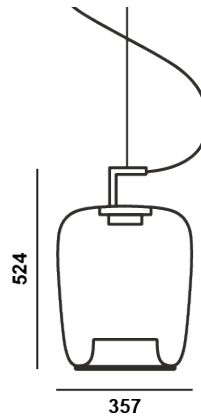
DATASHEET

Name:
Type:
Designed by:

DOUBLE
Pendant Light
LCM MARIN Design Studio



CERTIFICATES



Product ID: PC1295

CONSTRUCTION SPECIFICATIONS

Weight:
Construction material:
Cord Length:
Mounting:
Environment:

Double - long

6.8 kg
Glass, metal
2,200 mm
Ceiling
Indoor

ELECTRICAL SPECIFICATIONS

Input voltage [V]:
Frequency [Hz]:
Max. power [W]:
Coverage IP:
Socket:
Light source:
Energy class:

100 - 240 V
50-60 Hz
9 W
20
LED module
-
E

DATASHEET

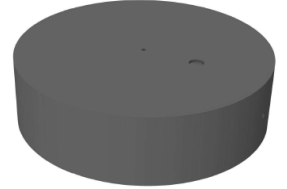
Name:
Type:
Designed by:

DOUBLE
Pendant Light
LCM MARIN Design Studio

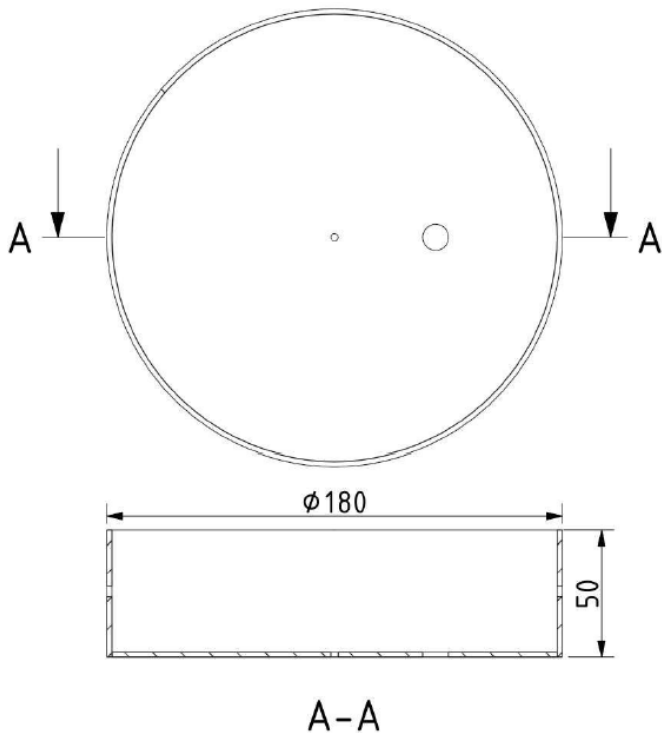


CEILING CANOPY

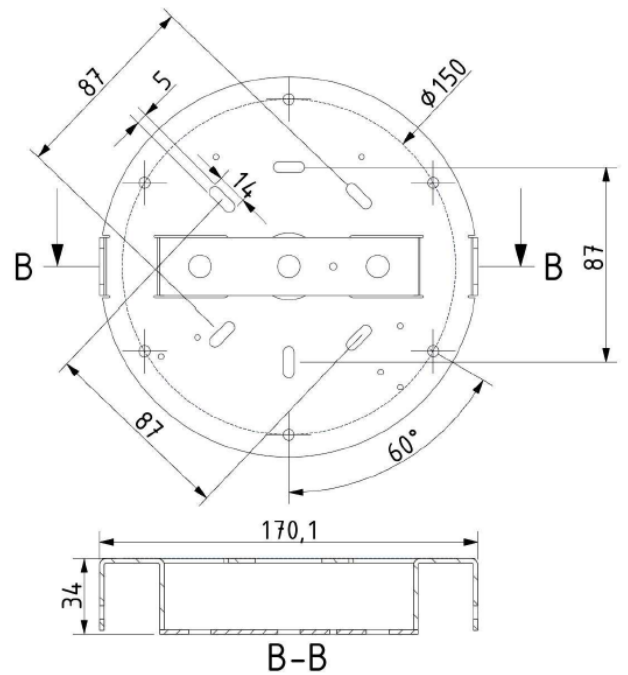
Dimensions \varnothing x w [in/mm] 7.08" x 2" / 180 x 50 mm
Weight [kg] 1.3 kg
Material metal



Drawing



Hole Placement



DATASHEET

Name:
Type:
Designed by:

DOUBLE
Pendant Light
LCM MARIN Design Studio



PRODUCT DETAILS

Glass Colour

Transparent glass	A	CGC23
Smoke grey - transparent glass	A	CGC516
Smoke brown - transparent glass	A	CGC538
Opaline - transparent glass	A	CGC38
Triplex opal	A	CGC39

Glass Surface

Glossy surface	A	CGSU66
----------------	---	--------

Body Finishes

Metal - black matte powder coating with structure	A	CCS2673
---	---	---------

Canopy Finishes

Metal - black matte powder coating with structure	A	CCSC2674
---	---	----------

Cable colour

Textile cable - black	A	CECL519
-----------------------	---	---------

LED Source

24V, LED, 9W, 2700K, 1064lm, RA90+, DIM	A	LEDS2866
---	---	----------

Dimmable version

Non-dimmable version	A	CEDV1457
RF system - remote control version	A	CEDV1461
PWM signal	A	CEDV1459
1-10V	A	CEDV1460
DALI version	A	CEDV1458
AC phase cut	A	CEDV1730
CASAMBI CBU-PWM4 - SURCHARGE	A	CEDV2854