

DATASHEET

Name: **AWA**
Type: Pendant Light
Designed by: Fumie Shibata



DESCRIPTION

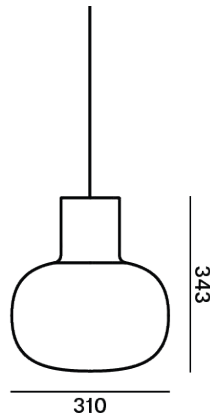
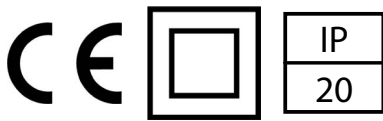
A ball made from air wrapped in liquid is called "Awa" in Japanese. This design sprung from the idea of creating resembling soft glass that has retained its shape after being inflated.

TECH. DESCRIPTION

The light comprises a metal body with wooden or metal cover, cord, and glass diffuser suspended from three points. The light is attached to a ceiling canopy.



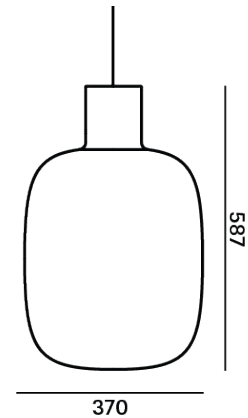
CERTIFICATES



Product ID: PC1129

Awa medium

Weight: 3.5 kg
Construction material: Glass, wood, metal
Cord Length: 2,000 mm
Mounting: Ceiling
Environment: Indoor



Product ID: PC1130

Awa large

Weight: 6.5 kg
Construction material: Glass, wood, metal
Cord Length: 2,000 mm
Mounting: Ceiling
Environment: Indoor

CONSTRUCTION SPECIFICATIONS

Weight:
Construction material:
Cord Length:
Mounting:
Environment:

ELECTRICAL SPECIFICATIONS

Input voltage [V]: 230 V
Frequency [Hz]: 50-60 Hz
Max. power [W]: 60 W
Coverage IP: 20
Socket: E27
Light source: -
Energy class: A+ to E depending on light source

Input voltage [V]: 230 V
Frequency [Hz]: 50-60 Hz
Max. power [W]: 60 W LED
Coverage IP: 20
Socket: E27
Light source: -
Energy class: A+ to E depending on light source



AM STUDIO CUSTOM LIGHTING INC | 80 KINCORT ST, TORONTO M6M 5G1 | 416 783 4100
INFO@AMSTUDIO.CA | AMSTUDIO.CA

DATASHEET

Name:
Type:
Designed by:

AWA
Pendant Light
Fumie Shibata

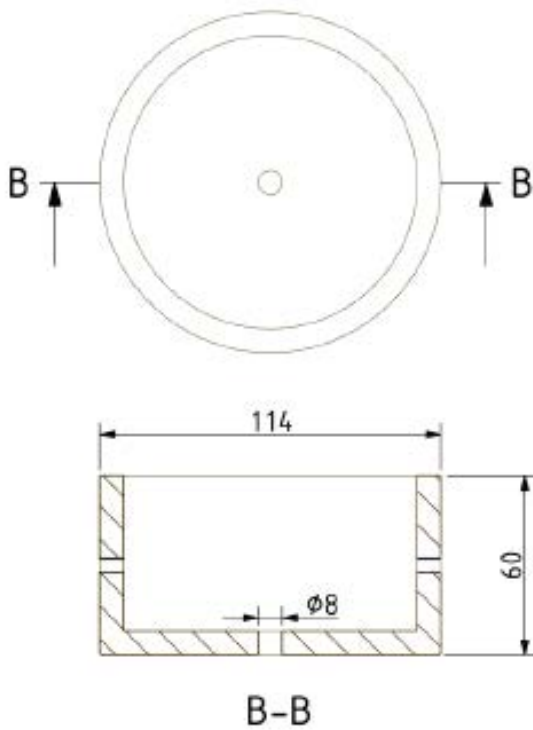


CEILING CANOPY

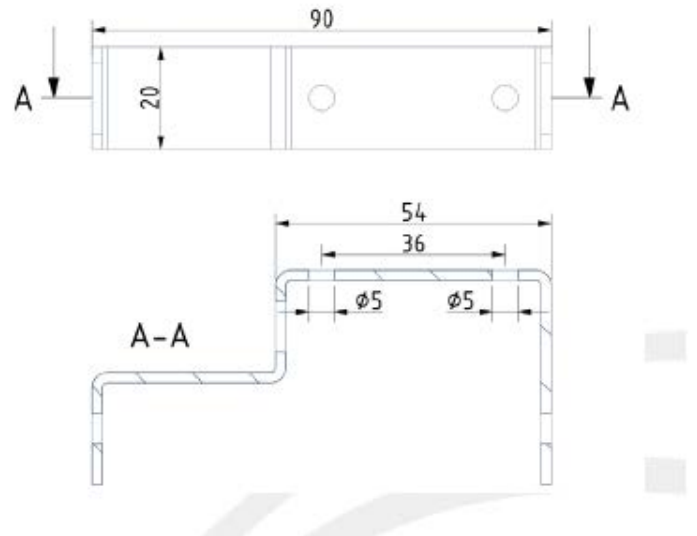
Dimensions \varnothing x w [in/mm] 4.48" x 2.36" / 114 x 60 mm
Weight [kg] 0.17 kg
Material wood



Drawing



Canopy bracket



DATASHEET

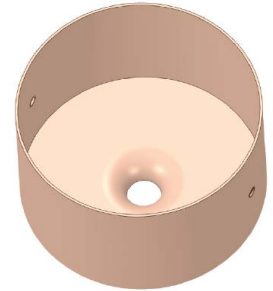
Name:
Type:
Designed by:

AWA
Pendant Light
Fumie Shibata

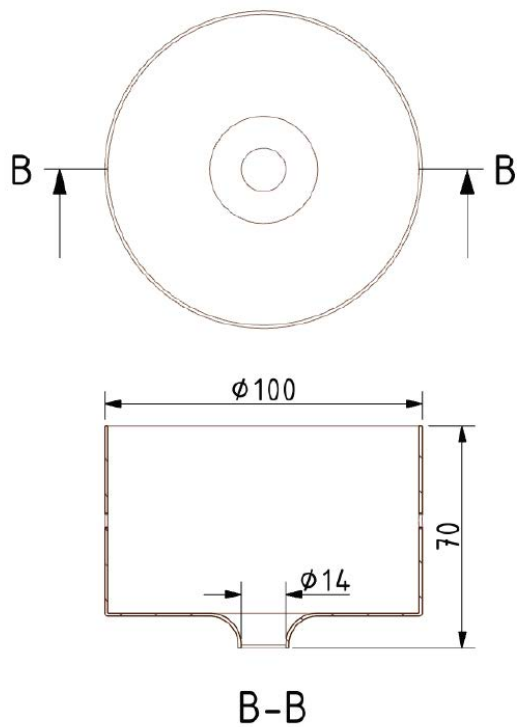


CEILING CANOPY

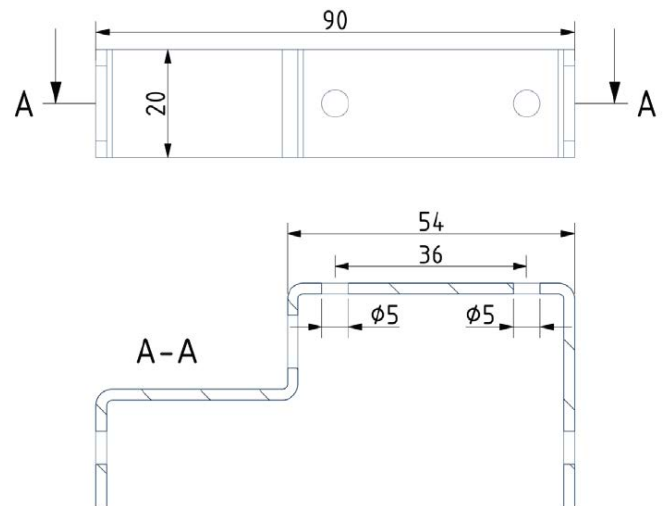
Dimensions \varnothing x w [in/mm] 4" x 2.75" / 100 x 70 mm
Weight [kg] 0.26 kg
Material metal



Drawing



Canopy bracket



DATASHEET

Name: AWA
Type: Pendant Light
Designed by: Fumie Shibata



PRODUCT DETAILS

Glass Colour

| | | |
|---------------------------------|---|--------|
| Transparent glass | A | CGC23 |
| Smoke grey - transparent glass | A | CGC516 |
| Smoke brown - transparent glass | A | CGC538 |

Glass Surface

| | | |
|---------------|---|--------|
| Glossy Finish | A | CGCU66 |
|---------------|---|--------|

Body Finish

| | | |
|--------------------------------------|---|--------|
| Copper | A | CCS584 |
| Silver anodized | A | CCS775 |
| European oak - natural lacquer (wax) | A | CCS518 |
| American walnut - natural waxed | A | CCS757 |

Canopy finish

| | | |
|--|---|----------|
| Copper | A | CCSC896 |
| Silver anodized | A | CCSC843 |
| European oak - natural lacquer (wax) | A | CCSC841 |
| American walnut - natural waxed | A | CCSC842 |
| Trimless - cable version - white structure | A | CCSC2903 |
| Trimless - cable version - black structure | A | CCSC2904 |

Cable colour

| | | |
|----------------------------|---|----------|
| Textile cable - Black | A | CECL519 |
| Textile cable - Light grey | A | CECL1918 |

Recommended Bulbs

| | | |
|--|---|---------|
| 230V, LED, E27, 12W, 2600K, 600lm, RA90, DIM - ART | A | CEB2832 |
| 230V, LED, E27, 6W, 2000K, 200-250lm, RA90, DIM - FILAMENT LED | A | CEB2671 |